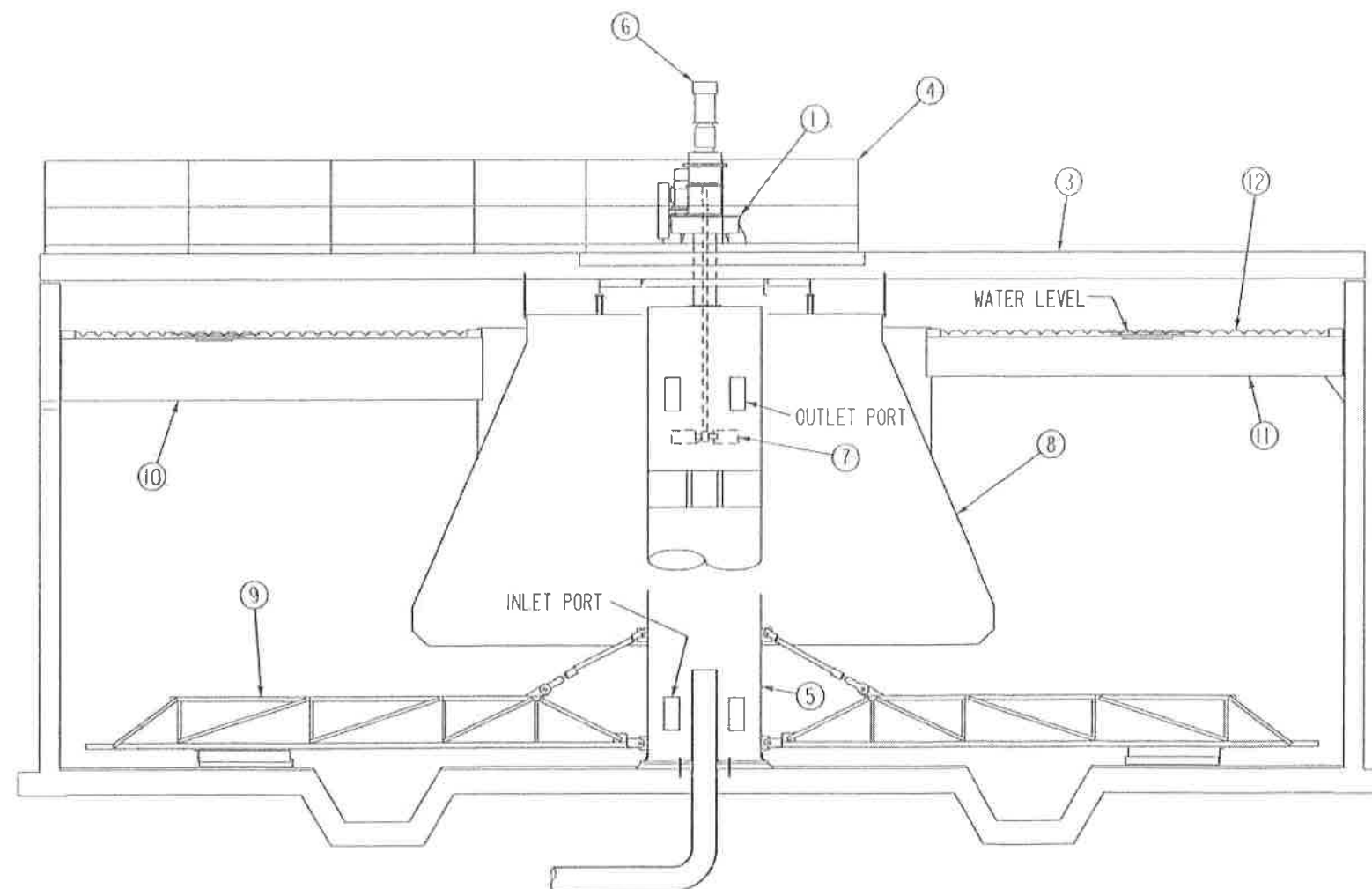



- ① DRIVE ASSEMBLY
- ② OVERLOAD ASSEMBLY
- ③ BRIDGE
- ④ HANDRAIL
- ⑤ DRAFT TUBE
- ⑥ MIXER
- ⑦ IMPELLER
- ⑧ FLOCCULATION SKIRT
- ⑨ TRUSS ARMS
- ⑩ EFFLUENT FLUME
- ⑪ EFFLUENT TROUGH
- ⑫ V-NOTCH WEIR PLATE



 <p>Walker Process Equipment Division of McNish Corporation</p> <p>Dedicated to the Water and Wastewater Industry</p>	<p>BRIDGE SUPPORTED CLARIFLOW TYPE MC-C</p>	
	<p>Cad. File: S1998.DGN</p>	<p>Drg. N° 6-401-1/06</p>
<p>Rev.</p>	<p>Side</p>	