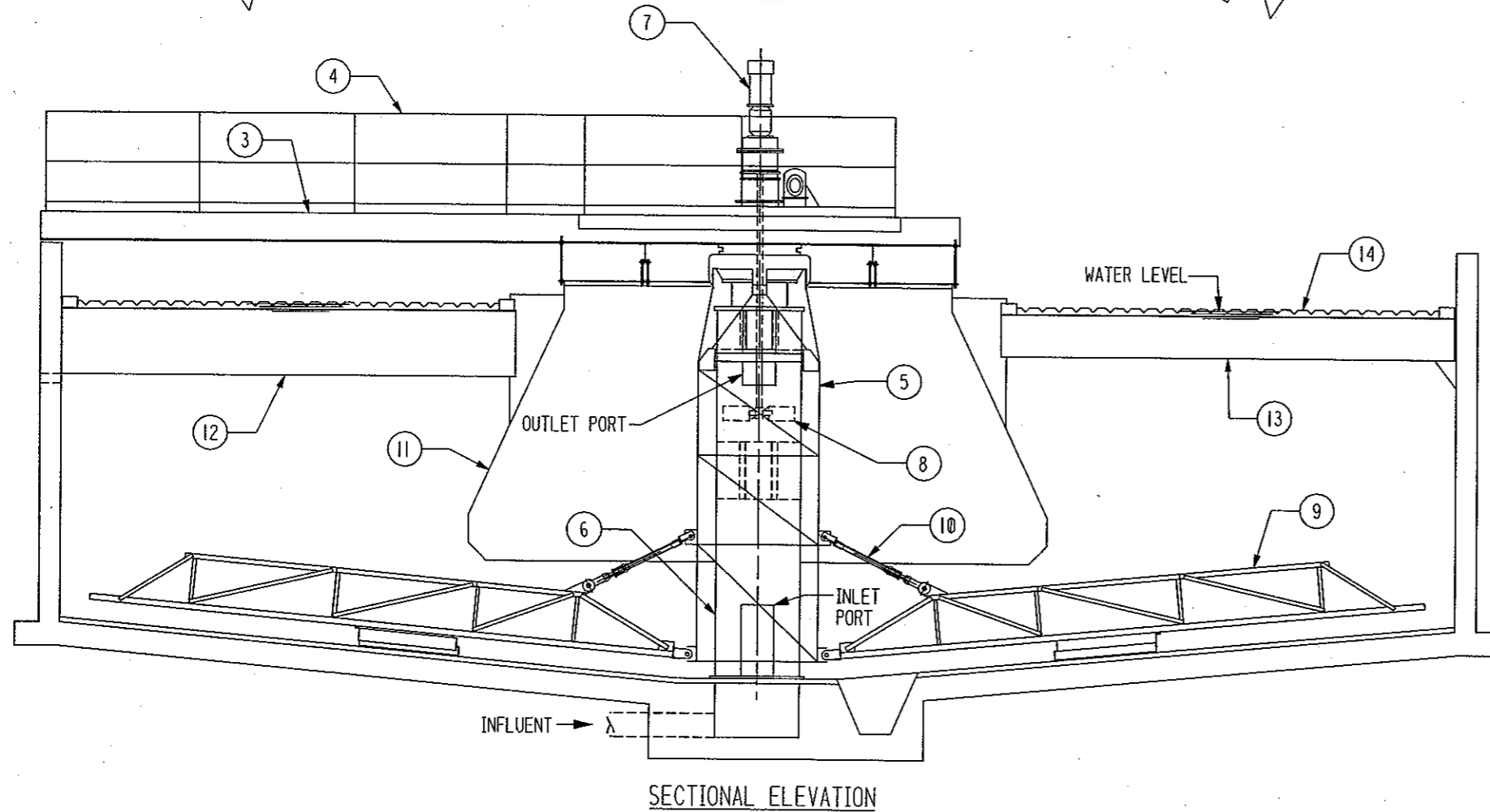



- ASSEMBLY LIST
- ① SPUR GEAR DRIVE
  - ② OVERLOAD ASSEMBLY
  - ③ BRIDGE
  - ④ HANDRAIL
  - ⑤ DRIVE CAGE
  - ⑥ CENTER PIER
  - ⑦ MIXER
  - ⑧ IMPELLER
  - ⑨ TRUSS ARM
  - ⑩ ATTACHMENT FRAME
  - ⑪ FLOCCULATION SKIRT
  - ⑫ EFFLUENT FLUME
  - ⑬ EFFLUENT TROUGH
  - ⑭ V-NOTCH WEIR PLATE





**Solids Contact Clarifier**  
Type MC-RS Clariflow

Pier Supported, Bottom Feed  
Radial Troughs with Weir Plates

**Walker Process Equipment**  
Division of McNish Corporation