



Division of McNish Corporation



Rectangular Collector Mechanisms

The Hydrol

Easy-To-Inst

Easy-To-Assemble

Drive Unit – S
and over

Scum Skimmer – Lever, gear or motorized operation available for 4-shaft collectors.

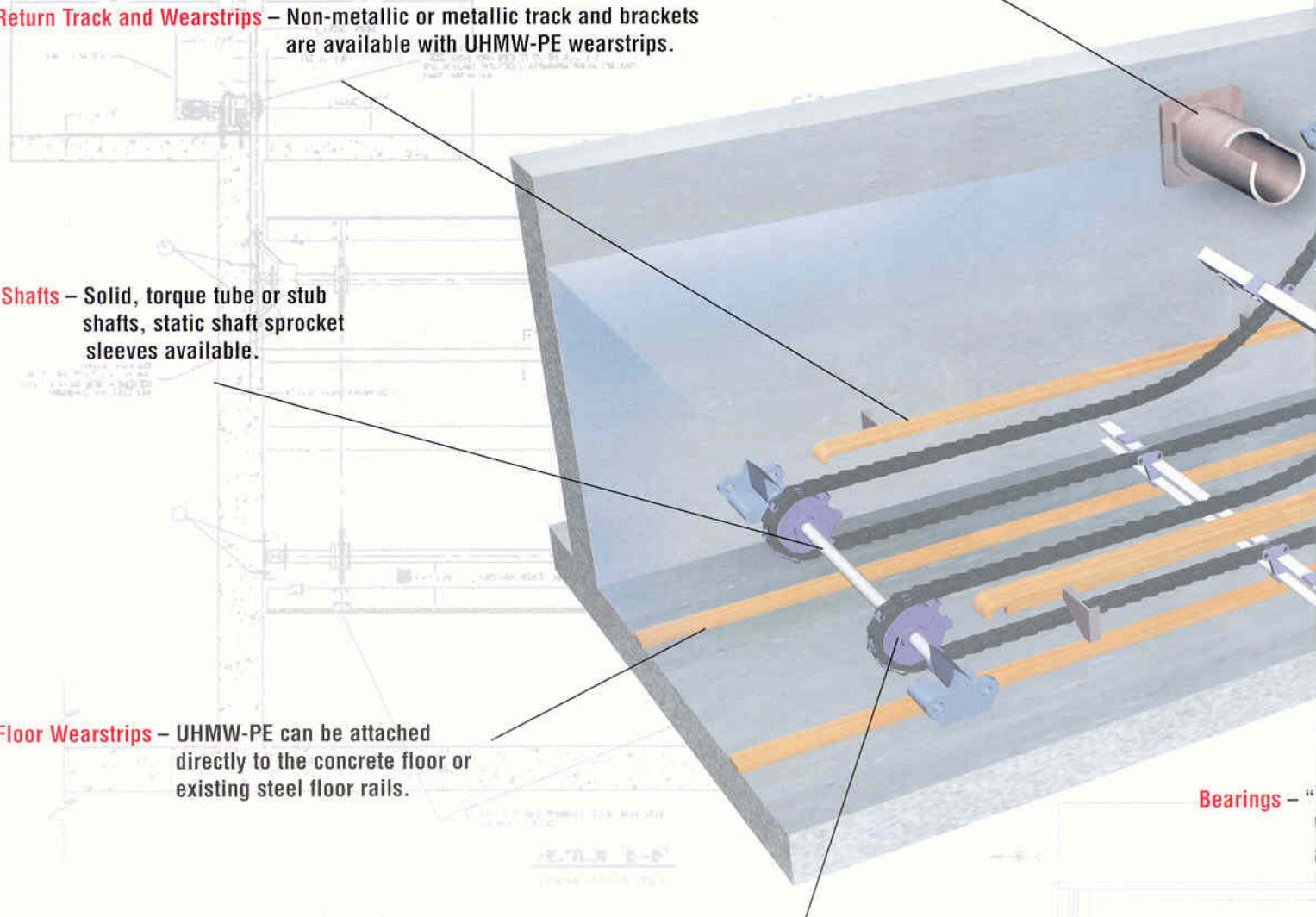
Return Track and Wearstrips – Non-metallic or metallic track and brackets are available with UHMW-PE wearstrips.

Shafts – Solid, torque tube or stub shafts, static shaft sprocket sleeves available.

Floor Wearstrips – UHMW-PE can be attached directly to the concrete floor or existing steel floor rails.

Bearings –

Sprockets – Non-metallic, split to provide easy maintenance and extended wear life. Full range of sizes. Cast iron hubs with UHMW tooth segments also available. Chainsaver rims available.



Link Solution

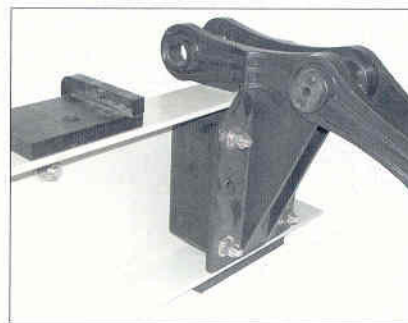
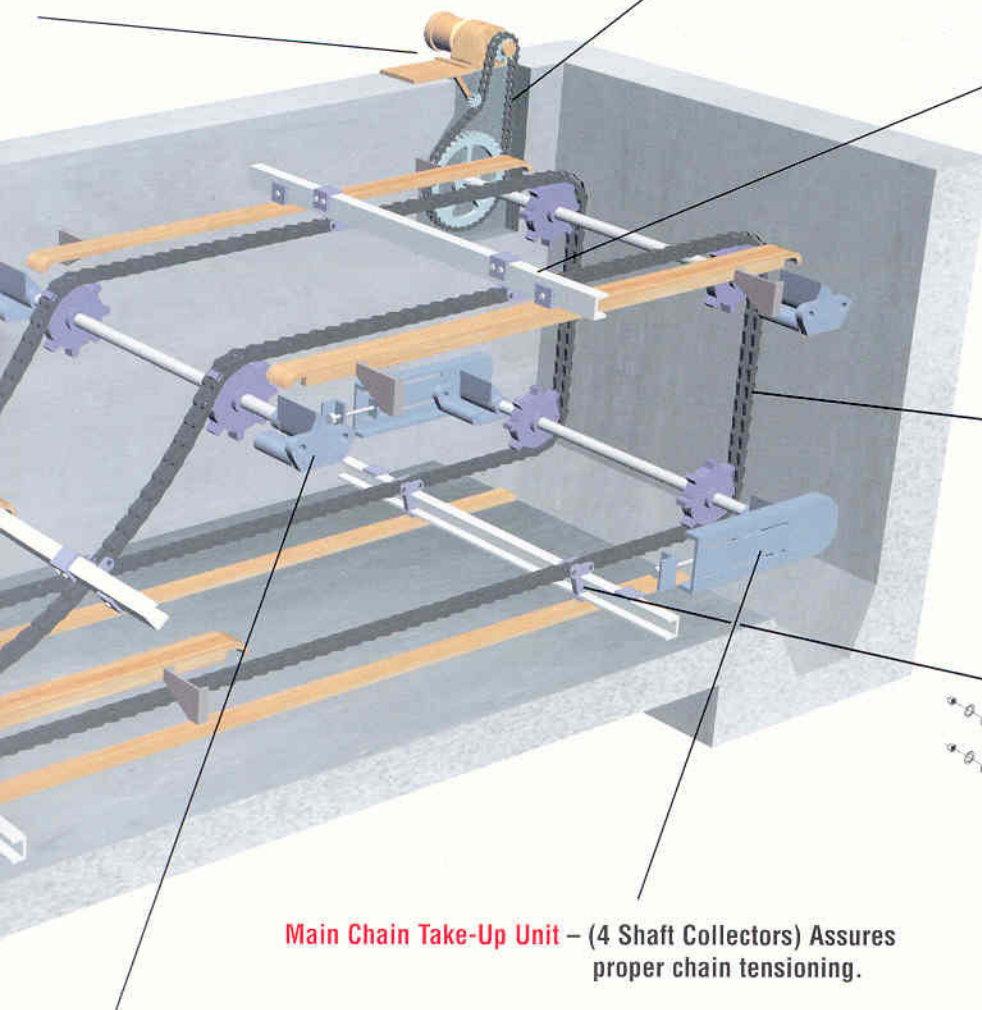
all

Easy-To-Disassemble

Several configurations and devices.

Drive Chain – Non-metallic, easy to install and maintain

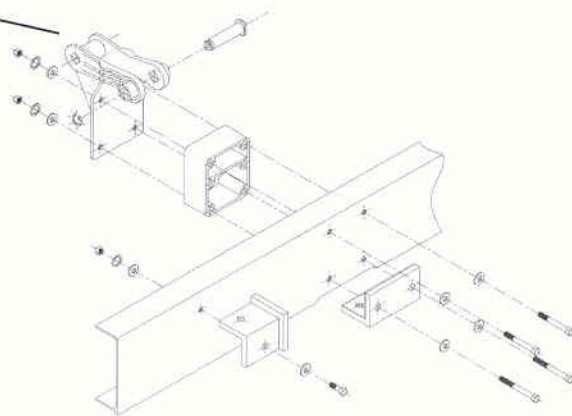
Fiberglass Flights – 6" or 8"



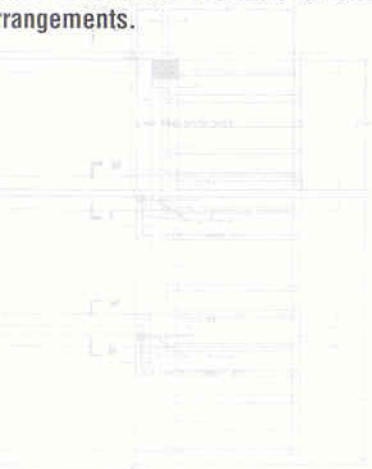
Hydrolink Non-metallic Chain

- Better than metal
- Superior components
- Commitment to quality

Main Chain Take-Up Unit – (4 Shaft Collectors) Assures proper chain tensioning.



"Peak-Cap" design with UHMW-PE liners.
All brackets also available for static shaft arrangements.



Peripheral Equipment Options

- Chain & flight cross collector
- Helicoid cross collector (Screw)
- Helical skimmer
- Tray design systems
- Flight monitoring system



The City's 4.2 mgd wastewater treatment plant is located on the Fox River about 40 miles west of Chicago. Four (4) Walker Process Hydrolink Rectangular Primary Clarifiers **A** were added in 2002 as part of an overall upgrade that increased capacity from 3.5 to 4.2 mgd. Other Walker equipment at this facility include:

- B** Anaerobic digester covers and gas mixing equipment
- C** Grit collector
- D** Excess flow clarifier

Engineered Solutions

SEDIMENTATION & THICKENING

Circular Collectors & Thickeners
Bridge Supported
Pier Supported
Plow Type, Spiral Flights,
MultiDraw, SightWell
UniMix Flocculating Clarifiers
Spur Gear Drives (Precision Class 6)
Rectangular Collector Mechanisms
HeliThickener

BIOLOGICAL PROCESS

EnviroDisc® RBC – Rotating
Biological Contactor
Rotary Distributors

GRIT REMOVAL

Rolling Grit
GritWasher
HydroSeparator

SOLIDS CONTACT CLARIFIERS

MC ClariFlow
RollFlow™ Clarifier

SLUDGE DIGESTION

Covers – Fixed, Floating,
GasHolder, Combination
Digester-Mixer
GasLifter
HeatX – Heat Exchanger, Boiler,
Combination Units
RollAer – For Aerobic Digestion

SKIMMING

HeliSkim
RotoDip Skimmer
Scum Concentration System

WATER TREATMENT

Solids Contact Clarifier Type MC
Flocculating Clarifier Type UC
Paddle Flocculators
UniMix Flocculators
InstoMix Flash Mixer
Cascade Tray Aerators

Walker Process Equipment

Division of McNish Corporation

840 North Russell Avenue • Aurora, IL 60506

Phone: 630-892-7921 • Fax: 630-892-7951

E-mail: walker.process@walker-process.com

www.walker-process.com